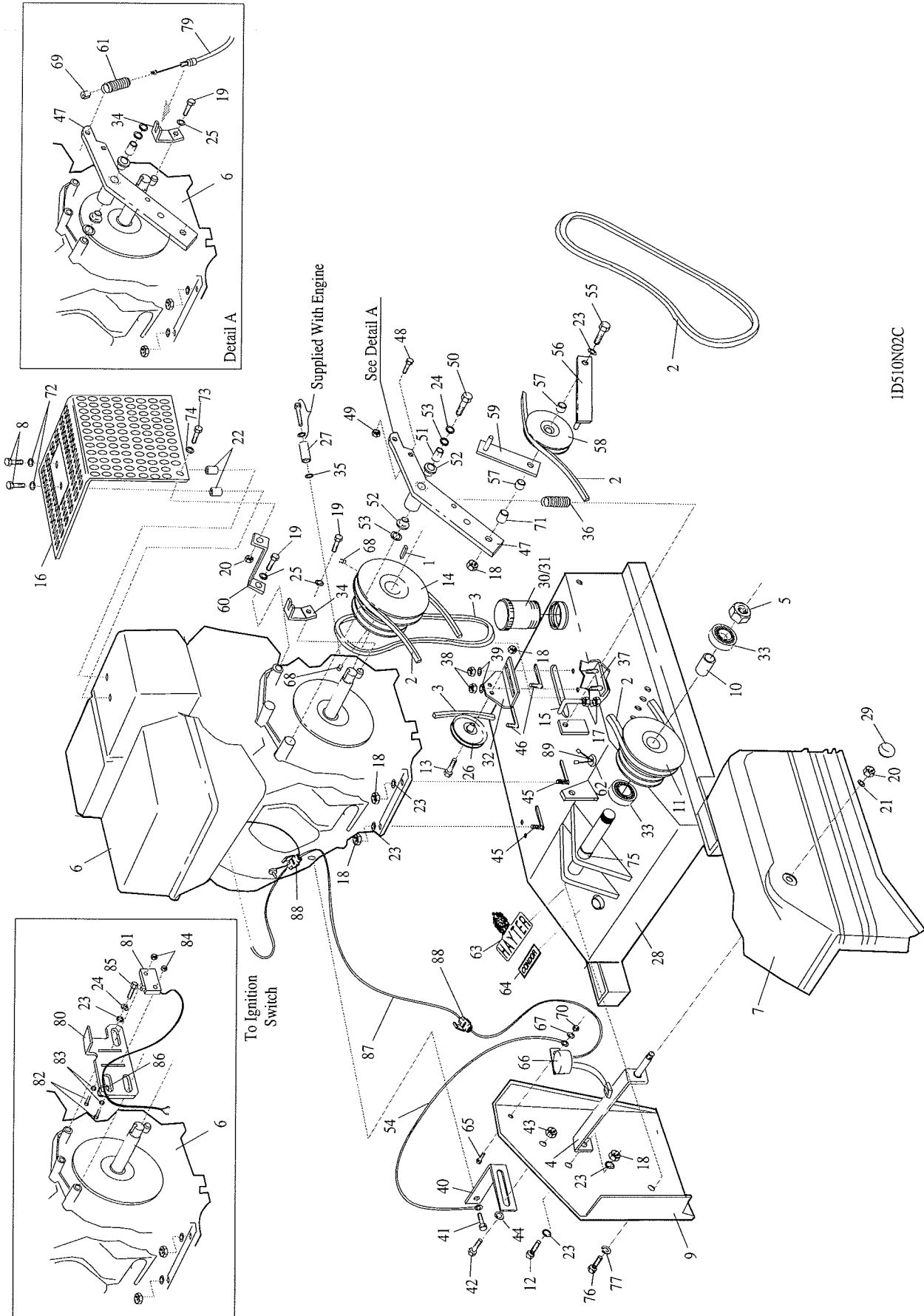


CONDOR

HYDROSTATIC DRIVE
CODE 510N

SPARE PARTS LIST

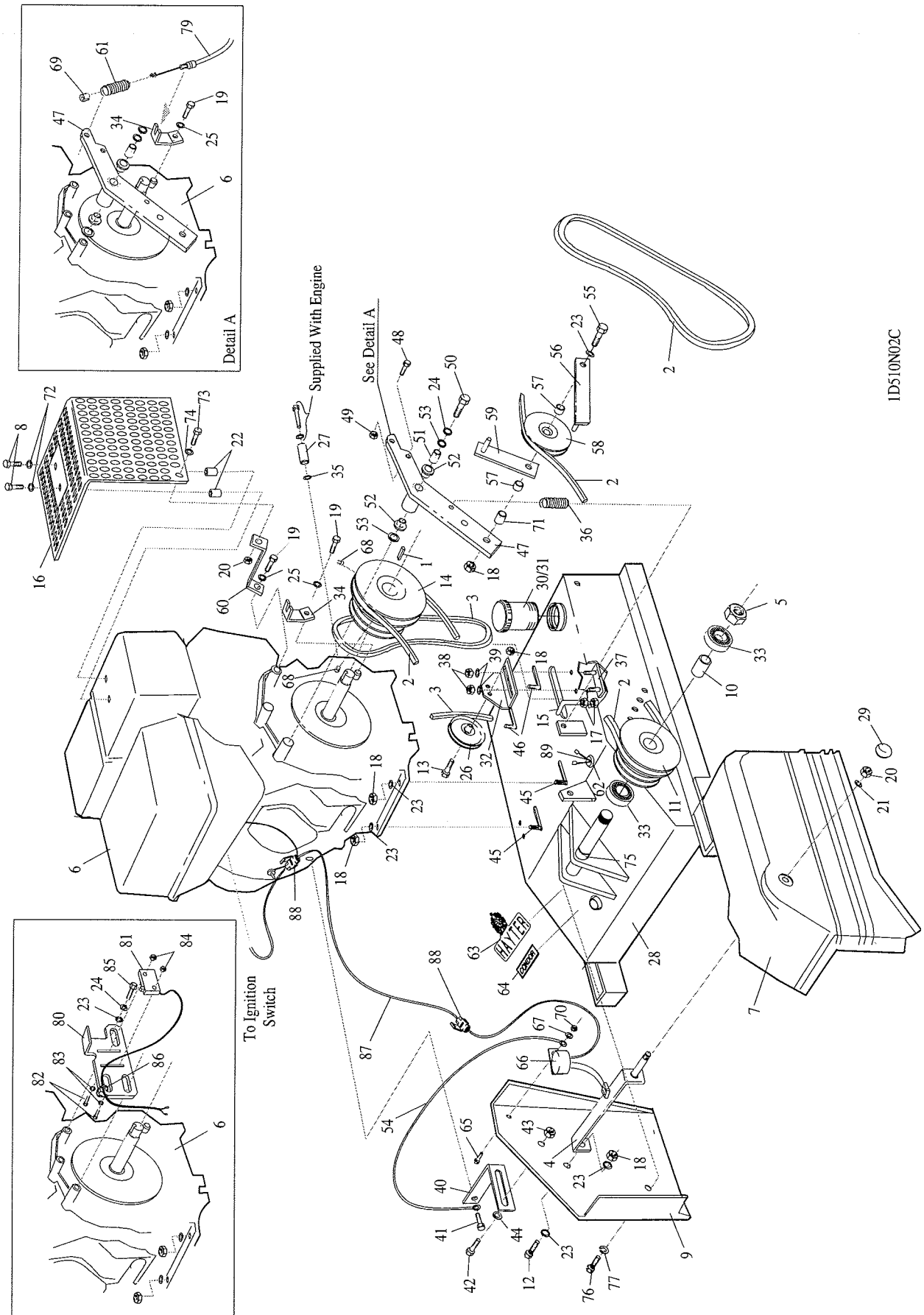


1D510N02C

sc 2/10/96

ITEM NO	DESCRIPTION	PART NO.	QTY
1.	Key.	3261	1
2.	Belt.	1836	1
3.	Belt.	235015	1
4.	Bracket support.	208160	1
5.	Nut - 3/4" UNF Nyloc.	3302	1
6.	Engine - Honda GX340.	253002	1
7.	Cover - Transmission.	510055	1
8.	Screw - M5 x 35 Pozi - Taptite.	09358	2
9.	Bracket support.	510091W	1
10.	Spacer.	208059	1
11.	Pulley countershaft.	208058	1
12.	Setscrew - 3/8" UNF x 5/8" long hex. head.	09110	2
13.	Setscrew - 3/8" UNF x 1 1/2" long hex. head.	09118	1
14.	Pulley - Engine.	235023	1
15.	Guide - Belt.	208056	1
16.	Guard - Exhaust.	510059W	1
17.	Nut - 3/8" UNF Plain.	09213	2
18.	Nut - 3/8" UNF Nyloc.	09216	7
19.	Setscrew - 5/16" UNF x 5/8" long.	09068	2
20.	Nut - M8 Nyloc.	09442	2
21.	Washer - 5/16" Plain.	09267	1
22.	Spacer - Exhaust guard.	510058	2
23.	Washer - 3/8" Plain.	09271	6
24.	Washer - 3/8" Spring.	09273	3
25.	Washer - 5/16" Spring.	09268	2
26.	Pulley - Jockey.	208054	1
27.	Tube - Oil drain.	245008	1
28.	Deck - Engine.	510096V	1
29.	Cover - Nut.	234051	1
30.	Reservoir - Hydraulic oil.	208034	1
31.	Washer - Rubber.	208035	1
32.	Bracket - Jockey.	510075V	1
33.	Bearing.	208049	2
34.	Anchor - Cable.	510174	1
35.	Washer - 1/2" Copper.	3189	1
36.	Spring.	1246	1
37.	Bolt - Securing W/A	510179	2
38.	Nut - M10 Nyloc.	09447	2
39.	Washer - M10 Plain.	09479	2
40.	Bracket - Support.	253009	1
41.	Screw - M6 x 16 Hex. washer head taptite.	09365	1
42.	Setscrew - 1/4" UNF x 1/2".	09036	1
43.	Washer - 1/4" Spring.	09259	1
44.	Washer - 1/4" Plain.	09261	1
45.	Strap - Securing front.	253012	1
46.	Strap - Securing rear.	253010	1
47.	Lever - Jockey wheel W/A.	510181W	1
48.	Setscrew - M6 x 30.	ZDH1F030U	1
49.	Nut - M6 Nyloc.	09544	1
50.	Bolt - 3/8" UNC x 2 1/4" long hex. head.	09352	1
51.	Pivot - Lever Jockey wheel.	510184	1
52.	Bush - Oilite Flanged Dia. 16 x 22 x 16mm.	520053	2

sc 2/6/96

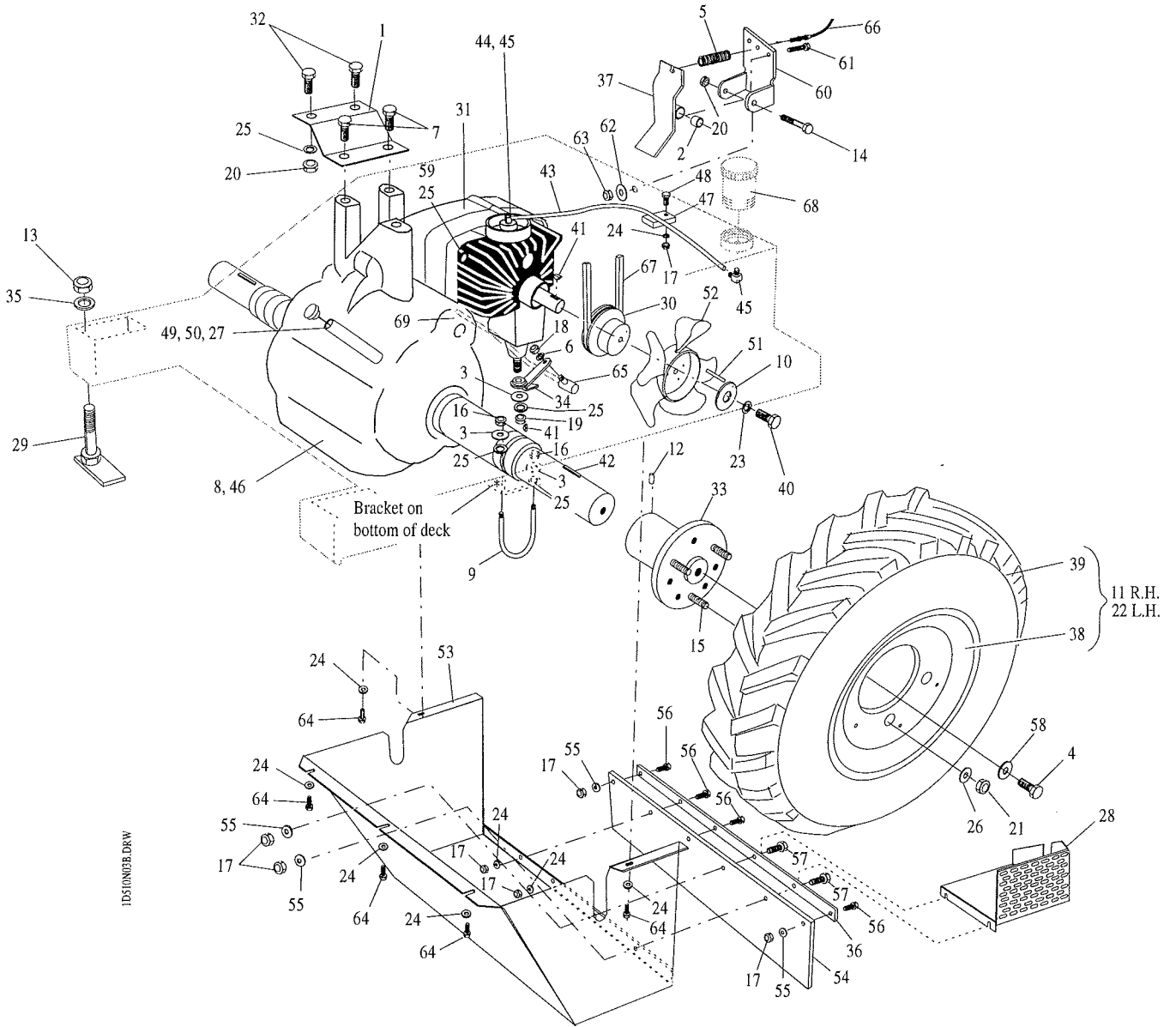


1D510N02C

sc 2/6/96

ITEM NO	DESCRIPTION	PART NO.	QTY
53.	Washer - 3/8"Plain.	02394	2
54.	Earth Wire (See item 7 - Electrical Components).	910857	1
55.	Bolt - 3/8" UNF x 2 1/2" long hex. head.	09124	1
56.	Belt - Guide short.	208156	1
57.	Spacer.	208171	2
58.	Pulley - Idler.	208170	1
59.	Belt - Guide long.	208163	1
60.	Bracket - Exhaust Guard.	510108W	1
61.	Spring.	510117	1
62.	Grommet.	910837	1
63.	Decal - Hayter / Royal Warrant.	219186	1
64.	Decal - Condor.	6301	1
65.	Setscrew - M4 x 12 Long hex. head.	ZDH1D012U	1
66.	Module - (See item 1- Electrical Components).	MU21361	1
67.	Washer - M4 Plain.	ZWP1D000U	2
68.	Grub screw - M6 x 10.	09619	2
69.	Nipple - Split.	510118	2
70.	Nut - M4 Nyloc.	ZNN1D000U	1
71.	Spacer - Idler pulley.	510024	1
72.	Washer - 3/16" x 1/2" Plain.	09257	2
73.	Setscrew - M8 x 20.	09368	1
74.	Washer - M8 Plain.	09475	1
75.	Collar.	510085	1
76.	Screw - M6 x 12 Washer Hd. Taptite.	09546	1
77.	Washer 1/4" Plain.	09263	1
78.	Nut - 5/16" Nyloc.	09209	1
79.	Cable - Cutter Clutch - (See item 37- Handlebar Assembly).	510132	1
80.	Bracket - Microswitch.	510150	1
81.	Microswitch - (See item 2- Electrical Components).	64-09-002	1
82.	Screw - M3 x 20.	09696	2
83.	Washer - M3 Plain.	09697	2
84.	Nut - M3 Nyloc.	09698	2
85.	Screw - 3/8" UNC x 3/4".	09101	1
86.	Tie - Cable.	3966	1
87.	Switch - Ignition - (See item 15 - Handlebar Assembly).	5114	1
88.	Connector - (See item 5 - Electrical Components).	232006	2
89.	Cable Assembly - Microswitch (See item 6 - Electrical Components).	510116	1

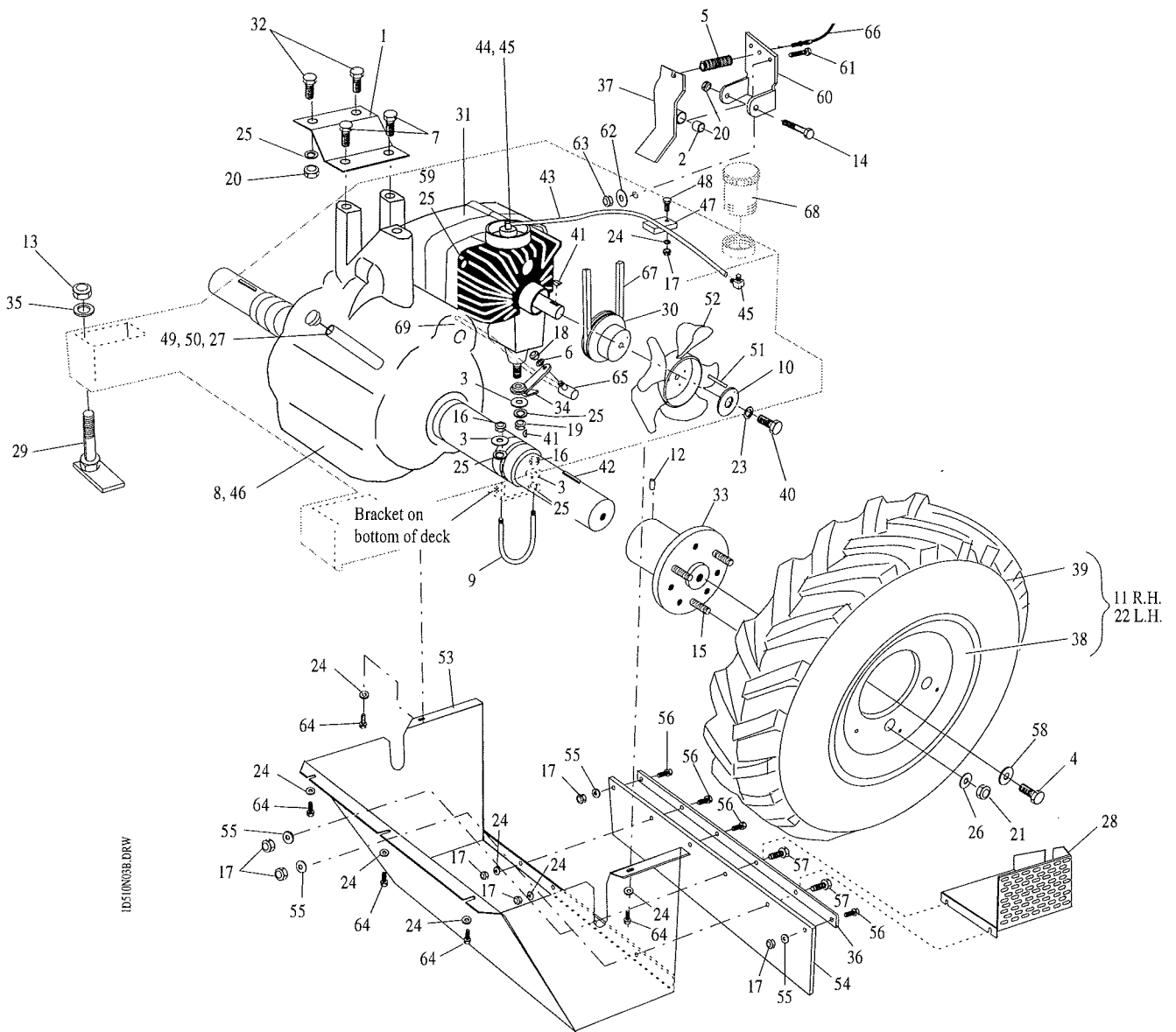
SE 2/16/96



see 2/10/96 ✓

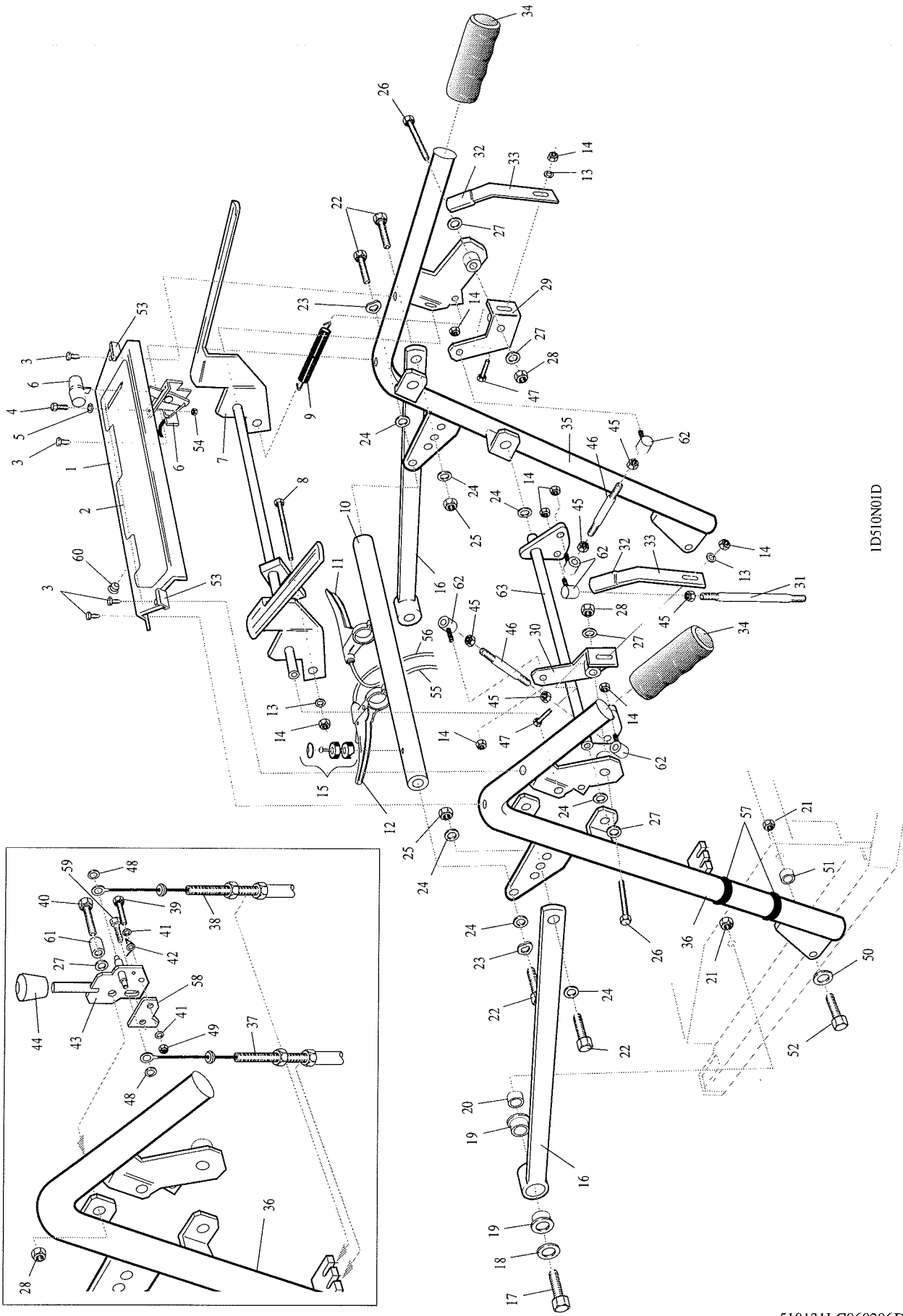
ITEM NO	DESCRIPTION	PART NO.	QTY
1.	Bracket - Securing.	235016	1
2.	Bush - Oilite.	3070	1
3.	Washer - 3/8" Plain.	03355	5
4.	Setscrew - 3/8" UNC x 1".	103653	2
5.	Spring.	3992	1
6.	Washer - 5/16" Spring.	09268	1
7.	Setscrew - 3/8" UNC x 3/4".	09101	2
8.	Gasket.	208065	1
9.	U-Bolt - 3/8" UNF.	5039	2
10.	Washer - Retaining.	208128	1
11.	Wheel/Tyre - Complete R.H. (includes items 38 and 39).	510076	1
12.	Setscrew - 5/16" UNF x 3/8" Socket Hd.	09064	2
13.	Nut - M16 Nyloc.	09456	2
14.	Bolt - 3/8" UNF x 2 1/4".	09122	1
15.	Setscrew - 1/2" UNF x 1 1/4".	09155	6
16.	Nut - 3/8" UNF Plain.	09213	4
17.	Nut - 1/4" UNF Nyloc.	09201	7
18.	Nut - 5/16" UNF Plain.	09207	2
19.	Nut - 3/8" UNC Plain.	09210	1
20.	Nut - 3/8" UNF Nyloc 'T' Type.	09216	7
21.	Nut - 1/2" UNF Plain.	09229	6
22.	Wheel / Tyre Complete L.H. (includes items 38 and 39).	510077	1
23.	Washer - 1/4" Spring.	09264	6
24.	Washer - 1/4" Plain.	09261	8
25.	Washer - 3/8" Spring.	09273	9
26.	Washer - 1/2" Spring.	09282	8
27.	'O' Ring.	208183	1
28.	Guard Fan.	208135	1
29.	Bolt - Mounting.	510176	2
30.	Pulley.	208060	1
31.	Unit - Hydrostatic.	208064	1
32.	Setscrew - 3/8" UNF x 3/4".	09112	2
33.	Hub - Wheel.	250039W	2
34.	Lever.	510070W	1
35.	Washer - M16 Plain.	09491	2
36.	Strip - Securing.	208085	1
37.	Lever - Dump Valve Assembly.	510094W	1
38.	Wheel.	250042	2
39.	Tyre.	510078	2
40.	Setscrew - 1/4" UNC x 1 3/4".	05010	1
41.	Key - Woodruff.	1940	2
42.	Key - Woodruff.	3511	2
43.	Pipe - Connecting.	208036	1
44.	Adaptor.	208037	1
45.	Elbow.	204051	2
46.	Transaxle Unit.	208066	1
47.	Guide - Height Adjusting Rod.	3991	1
48.	Setscrew - 1/4" UNF x 1".	09043	1
49.	Dipstick Tube.	208179	1
50.	Dipstick - Assembly.	208182	1

sc 21/6/2020



ITEM NO	DESCRIPTION	PART NO.	QTY
51.	Pin - Spirol 3/16" x 3/4".	03997	1
52.	Fan.	208063	1
53.	Guard - Lower.	208080	1
54.	Guard - Rubber.	208084	1
55.	Washer - 1/4" Plain.	09263	4
56.	Setscrew 1/4" UNF x 3/4" Long.	09039	4
57.	Setscrew 1/4" UNF x 1" Long.	09044	2
58.	Tab - Washer.	5402	2
59.	Bolt - 3/8" UNF x 3" Long Hex. Hd.	09353	4
60.	Bracket - Pivot.	510018V	1
61.	Bolt - M8 x 25 Hex. Hd.	03162	2
62.	Washer - M8 Plain.	09475	2
63.	Nut - M8 Nyloc.	09442	2
64.	Screw - M6 x 16 Hex. Washer Hd. Taptite.	09365	5
65.	Ball Joint - (See item 4 - Speed Control Assembly).	208172	1
66.	Cable - Clutch (See item 37 - Handlebar Assembly).	1205	1
67.	Belt - (See item 3 - Power Unit).	235015	1
68.	Reservoir - Hydraulic Oil (See item 30 - Power Unit).	208034	1
69.	Rod - Link (See item 4 - Speed Control Assembly).	510062	1

see 2/16/16

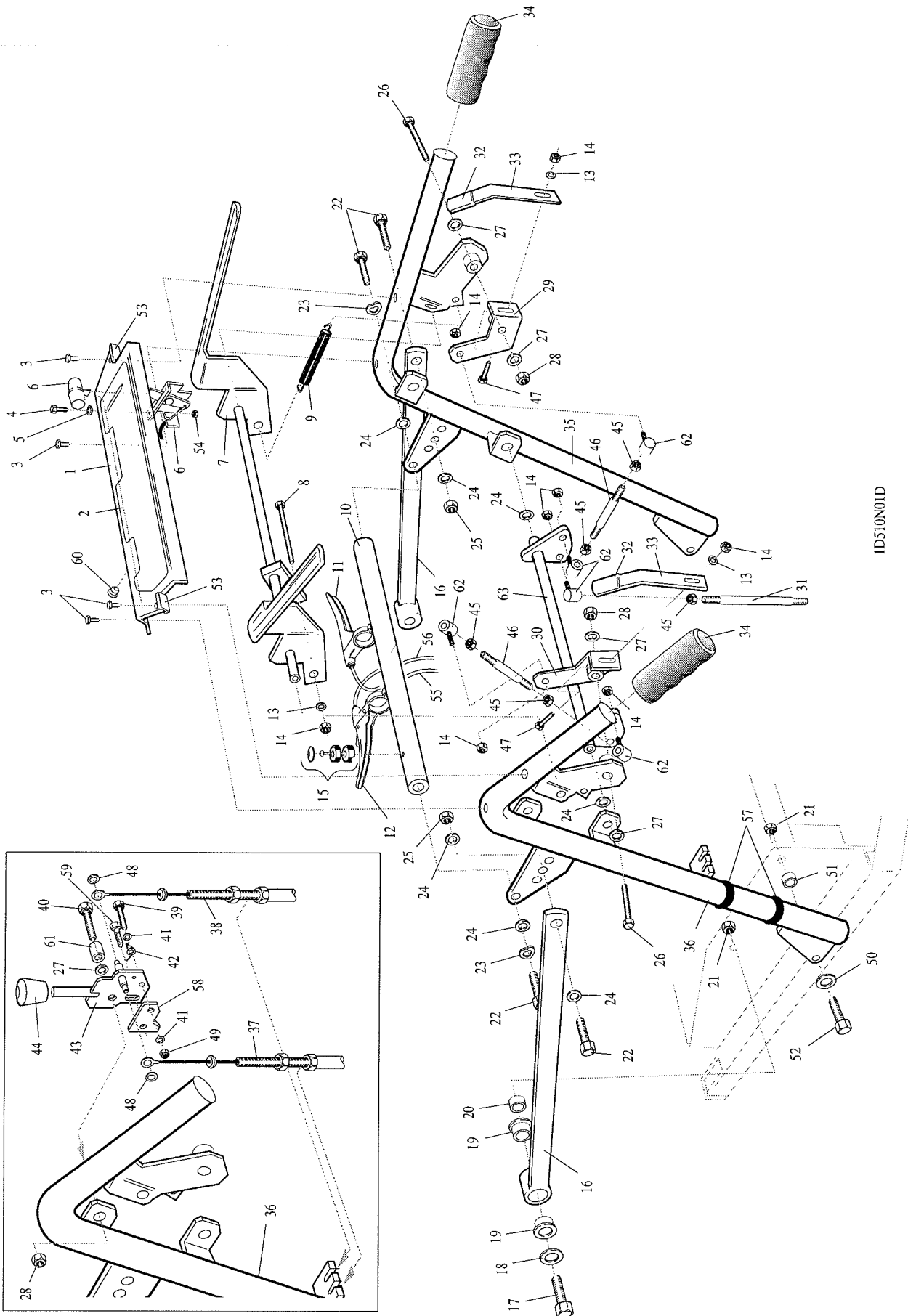


1D510N01D

2/16/96

ITEM NO	DESCRIPTION	PART NO.	QTY
1.	Cover - Handlebar.	510168W	1
2.	Decal - Controls.	510169	1
3.	Screw - M6 x 16 Taptite.	09365	4
4.	Setscrew - M3 x 20 hex. head.	09696	2
5.	Washer - M3 Plain.	09697	4
6.	Throttle control.	510170	1
7.	Lever - O.P.C assembly.	510145W	1
8.	Bolt - M8 x 90.	ZBH1H090U	1
9.	Spring - Extension.	200462	1
10.	Crossbar.	510142W	1
11.	Lever - Clutch.	2448	1
12.	Lever - Brake.	2162	1
13.	Washer - M8 Plain.	09475	3
14.	Nut - M8 Nyloc.	09441	7
15.	Switch - Ignition (See item 4 - Electrical Components).	5114	1
16.	Stay - Handlebar.	510143W	2
17.	Bolt - 1/2" UNF x 2 1/4".	09163	2
18.	Washer - 17/32" x 1 1/4" x 18G.	09281	2
19.	Bush - Flexible.	250028	4
20.	Sleeved Bush.	250027	2
21.	Nut - 1/2" UNF Self lock 'T' type.	09231	2
22.	Bolt - M12 x 30.	09415	4
23.	Washer - M12 Spring.	09599	2
24.	Washer - M12 Plain.	09450	8
25.	Nut - M12 Nyloc.	09650	2
26.	Bolt - M10 x 70 long hex. head.	09399	2
27.	Washer - M10 Plain.	09479	5
28.	Nut - M10 Nyloc.	09448	3
29.	Carrier - Speed Control RH.	510157W	1
30.	Carrier - Speed Control LH.	510160W	1
31.	Rod - Speed Control (Long) (See item 9 - Speed Control Assembly).	510162	1
32.	Sleeve - Speed Control Lever.	510102	2
33.	Lever - Speed Control.	510152W	2
34.	Grip - Handlebar.	72-07-058	2
35.	Handlebar R.H.	510133W	1
36.	Handlebar L.H.	510138W	1
37.	Cable - Cutter Clutch.	510132	1
38.	Cable - Cutter Brake.	212224	1
39.	Bolt - M6 x 25.	ZDH1F025U	1
40.	Bolt - M10 x 60.	09397	1
41.	Washer - M6 x Plain.	09472	2
42.	Spring - Torsion.	510167	1
43.	Lever - Cutter Clutch W/A.	510163	1
44.	Knob - Cutter Clutch Lever.	70-07-019	1
45.	Nut - M8 Plain.	09443	5
46.	Rod - Speed Control (Short).	510161	2
47.	Screw - M8 x 20.	09368	2
48.	Gripfix - 6mm.	0239095	2
49.	Nut - M6 Nyloc.	09611	1
50.	Washer - 1/2" x 1 1/8".	5180	2

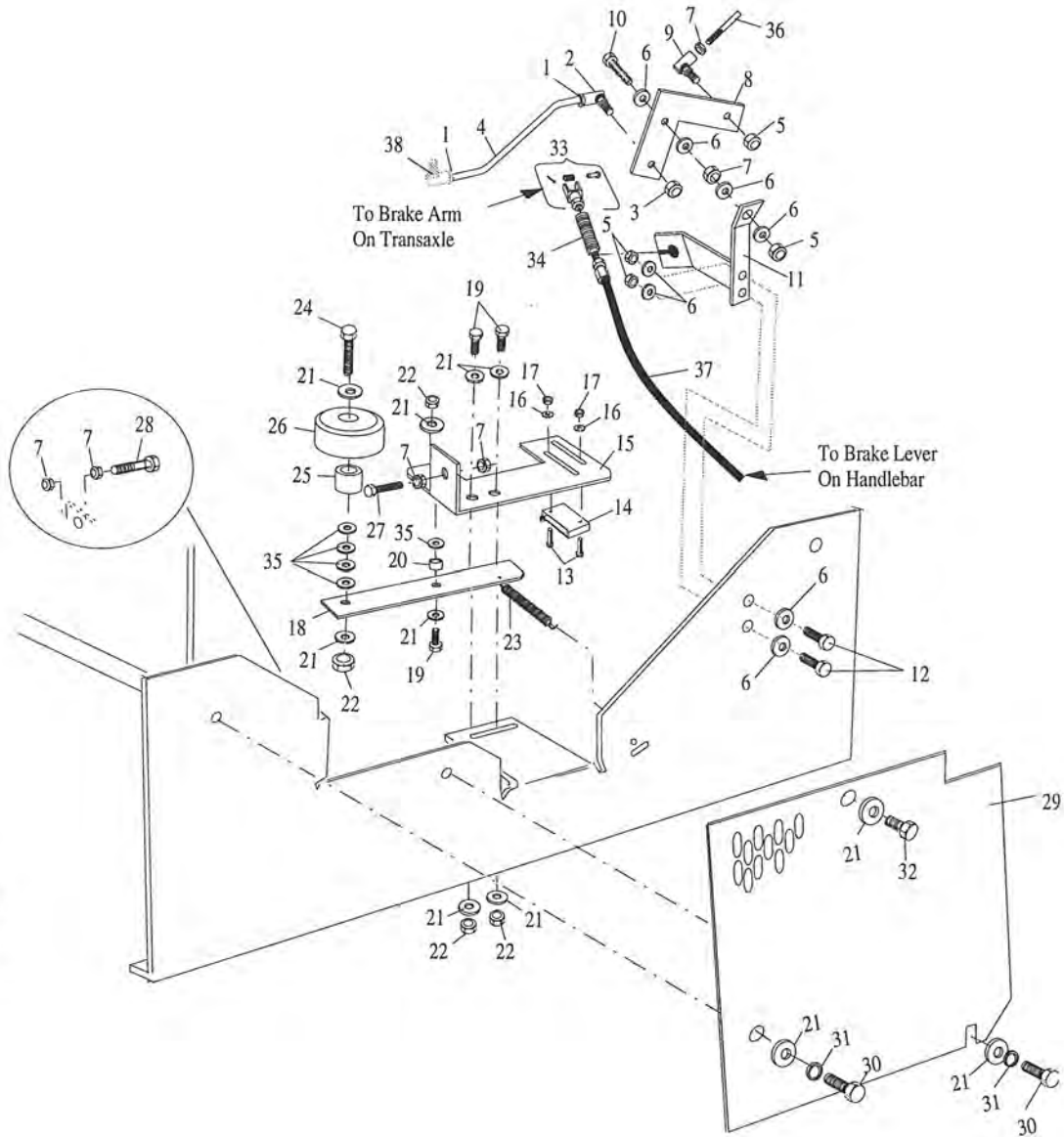
see 2/6/96



ID510N01D

SE 2/11/96

ITEM NO	DESCRIPTION	PART NO.	QTY
51.	Bush.	208088	2
52.	Bolt -1/2" UNF x 1 3/4".	09160	2
53.	Edging Strip.	50-08-001	-
54.	Nut M3 Nyloc.	09698	2
55.	Cable - Clutch (See item 66 - Transmission Assembly).	1205	1
56.	Cable - Parking Brake (See item 37 - Speed Control Assembly).	255003	1
57.	Tie - Cable.	3966	2
58.	Pawl - Cutter Clutch Lever.	510166	1
59.	Screw - M6 x 20 Taptite.	09575	1
60.	Grommet.	6289	1
61.	Spacer.	510156	1
62.	Ball Joint.	510099	5
63.	Lever - Speed Control Connecting.	510153W	1

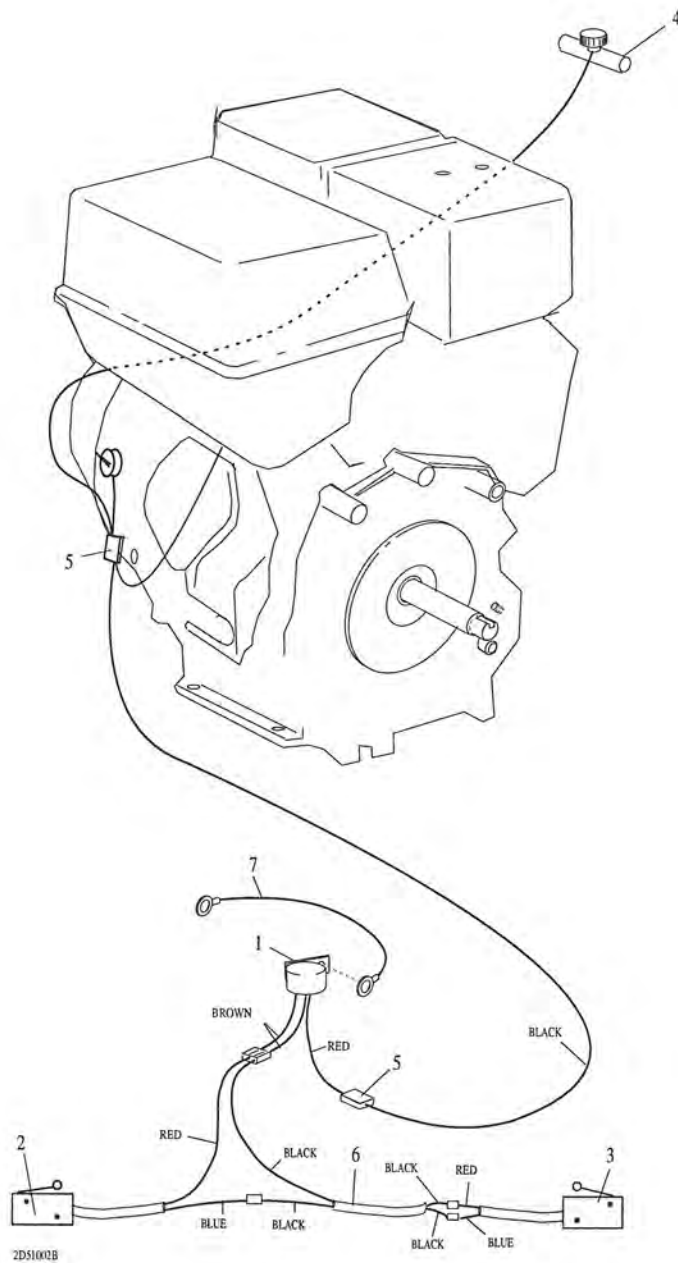


1D510N04C

SC 2/6/96

ITEM NO	DESCRIPTION	PART NO.	QTY
1.	Nut - 5/16" UNF Plain.	09207	2
2.	Ball joint - 5/16" UNF.	208172	1
3.	Nut - 5/16" UNF Nyloc.	09209	1
4.	Rod - Link.	510062	1
5.	Nut - M8 Nyloc.	09442	4
6.	Washer - M8 Plain.	09475	8
7.	Nut - M8 Plain.	09443	6
8.	Crank - Speed Control.	510061	1
9.	Ball - Joint M8.	510099	1
10.	Bolt - M8 x 35.	09631	1
11.	Bracket - Pivot Speed Control.	510063W	1
12.	Setscrew - M8 x 25.	ZDH1H025U	2
13.	Setscrew - M3 x 20.	09696	2
14.	Microswitch.	64-09-002	1
15.	Plate - Neutral Detent Pivot.	510081W	1
16.	Washer - M3 Plain.	09697	2
17.	Nut - M3 Nyloc.	09698	2
18.	Lever - Neutral Detent.	510082W	1
19.	Bolt - 1/4" UNF x 1" Long Hex. Hd.	09043	3
20.	Spacer.	250020	1
21.	Washer - 1/4" Plain.	09261	10
22.	Nut - 1/4" UNF Nyloc.	09201	4
23.	Spring.	200462	1
24.	Bolt - 1/4" UNF x 1 1/4".	09045	1
25.	Spacer.	250021	1
26.	Roller.	250018	1
27.	Setscrew - M8 x 40 Hex. Hd.	09380	1
28.	Setscrew - M8 x 50 Hex. Hd.	09370	1
29.	Guard - Fan.	510087V	1
30.	Bolt - 1/4" UNF x 1" Long Hex. Hd.	09043	2
31.	Washer - 1/4" Spring.	09264	2
32.	Screw M6 x 12 Washer Hd. Taptite.	09546	1
33.	Clevis Pin & Spring	255008	1
34.	Spring - Compression.	3992	1
35.	Washer - 1/4" Plain.	09263	5
36.	Rod - Speed Control (long) (See item 31- Handlebar Assembly).	510161	1
37.	Cable - Parking Brake (See item 56 - Handlebar Assembly).	255003	1
38.	Ball Joint - (See item 65 - Transmission Assembly).	208172	1

ITEM NO	DESCRIPTION	PART NO.	QTY
1.	Control Module - (See item 66 - Power Unit).	MU21361	1
2.	Microswitch - Cutterclutch - (See item 81 - Power Unit).	64-09-002	1
3.	Microswitch - Transaxle - (See item 14- Speed Control Assembly).	64-09-002	1
4.	Switch - Ignition - (See item 15 Handlebar Assembly).	5114	1
5.	Connector - (See item 88 - Power Unit).	232006	2
6.	Cable Assembly - Microswitch - (See item 66 - Power Unit).	510116	1
7.	Wire - Earth (See item 54 Power Unit)	910857	1



sc 2/16/96