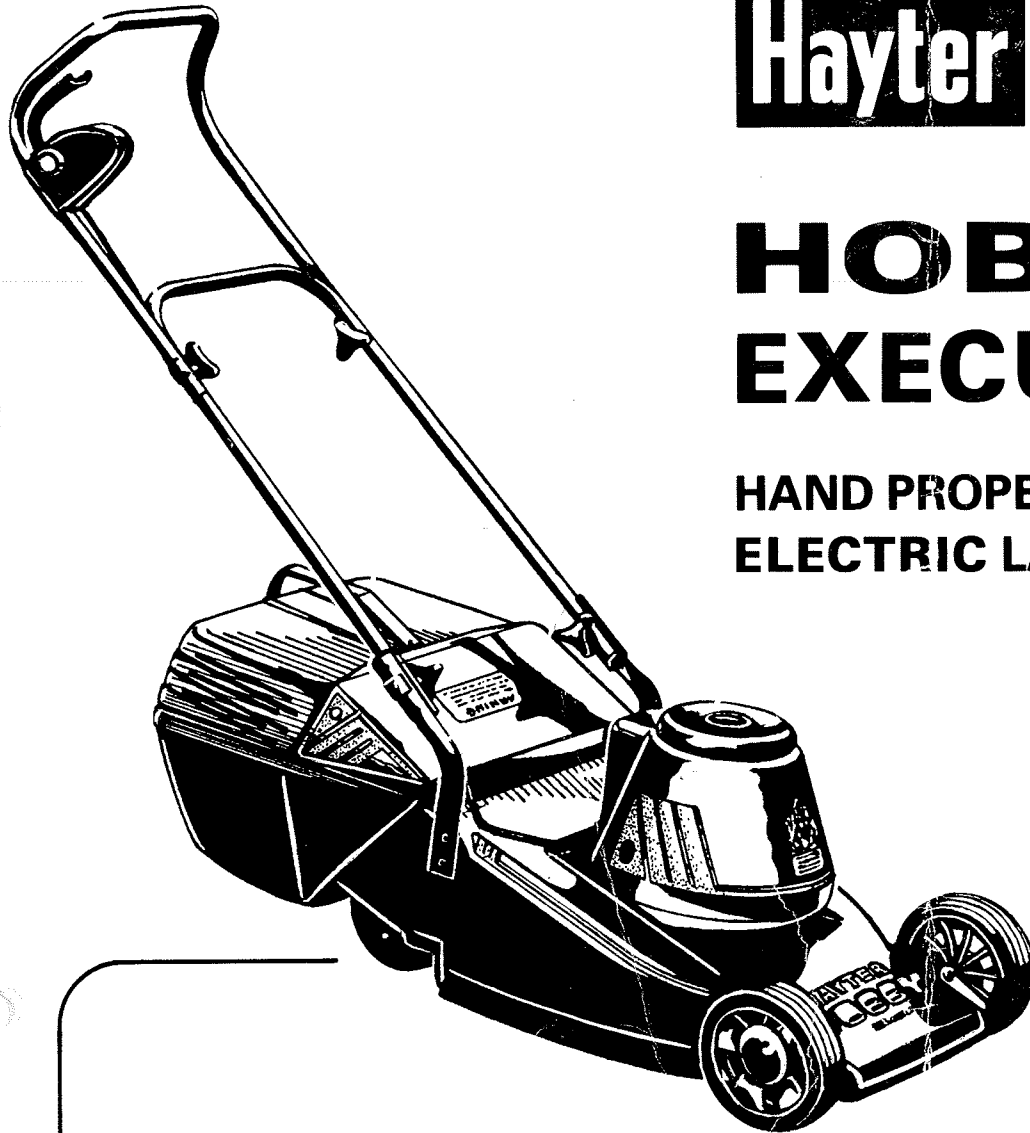


**Hayter**

FROM MACHINE NUMBER 234-4101

# **HOBBY EXECUTIVE**

**HAND PROPELLED  
ELECTRIC LAWN MOWER**



**OPERATING INSTRUCTIONS  
ILLUSTRATED PARTS LIST**

**HAYTERS PLC. SPELLBROOK BISHOP'S STORTFORD  
HERTS ENGLAND CM23 4BU**

SAFETY PRECAUTIONS (As recommended in B.S.5107: 1974)

Know your controls. Read the owner's manual carefully. Learn how to stop the machine quickly in any emergency and in such an event unplug cable from mains supply.

Make sure the lawn is clear of sticks, stones, bones, wire and debris. They could be thrown by the blade.

Switch off and unplug from mains before cleaning, checking or working on the mower.

Before using, always visually inspect the cutting mechanism to ensure that it is in good condition. Replace worn or damaged cutterbar to preserve balance.

Damaged cutterbars and loose fixings are major hazards. Check all nuts, bolts and screws often.

Always be sure the mower is in safe operating condition. Use only replacement parts made and guaranteed by Hayters P.L.C.

Do not mow whilst people, especially children or pets are in the mowing area.

Never use the mower unless the guards provided by the manufacturers are in position.

Do not mow barefoot or in open sandals.

Switch off motor and unplug from mains whenever you leave the mower.

Do not allow children or people unfamiliar with these instructions to use the mower.

On slopes or wet grass, be extra careful of your footing.

Never cut grass by pulling the mower towards you.

Warning: Blades continue to rotate without sound when motor is switched off.

When using the machine without the grassbox, do not lift the deflector plate whilst the machine is in operation.

Never insert hand into grass discharge chute whilst the motor is running. Switch off motor and unplug from mains before attempting to clear a blockage.

Stop the motor and ensure blade has stopped rotating before pushing the mower across gravel drives, walks or roads.

Never pick up or carry a mower when it is operating.

## INTRODUCTION

The Hayter 16" Hobby Electric mower is robustly constructed and designed to give an efficient, economical performance combined with ease of operation. The correct operation and attention to routine maintenance as recommended will ensure the long and efficient service from the machine. It is important that the machine is not abused or neglected.

The machine is carefully checked at our works prior to despatch, every effort is made by Hayters to see that it arrives in perfect condition. Your dealer will ensure this on delivery. It is recommended that you permit the dealer to go through the operating instructions with you.

Due to the possible settling in of new components, it is essential that after a short period of use all securing nuts be checked and tightened if necessary.

## GUARANTEE

The machine is guaranteed against faulty workmanship and materials for a period of 12 months from the date of purchase. In the case of components not manufactured by Hayters P.L.C., no guarantee is given but the purchaser shall be entitled to the benefit of any guarantee given by the manufacturers of such components. Any claim under guarantee should be referred to the Hayter Agent through whom the machine was originally supplied, quoting the machine Serial Number.

The guarantee becomes void if any parts not made or supplied by Hayters are fitted to the machine. In the case of machines being used for hiring out purposes, no guarantee of any kind is given or is to be implied.

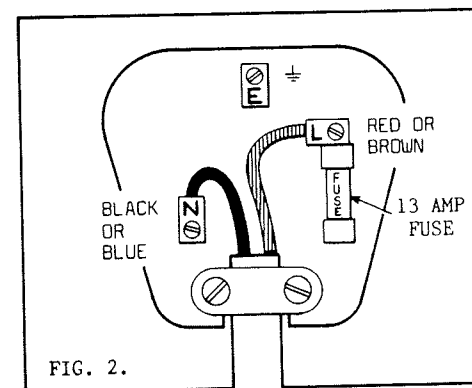
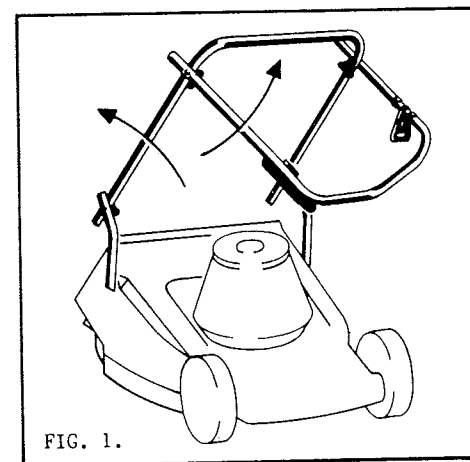
## ASSEMBLY INSTRUCTIONS

Unpack the machine from the carton and unfold the handlebars as shown in Fig.1. Securely tighten the four securing handknobs.

## ELECTRICAL CONNECTIONS

The mower is double insulated and has an over-load cut-out with automatic reset. The machine operates on 240V 50Hz and the cable supplied is 2 core 10A (or 1 mm<sup>2</sup>) to HO5RN-F or equivalent. The cable must be fitted with suitable plug and operated from a 13 or 15A electricity supply socket.

It is IMPORTANT that the plug be connected as shown in Fig.2. and is fitted with a 13A fuse.



## SAFETY PRECAUTIONS

It is important to read and fully understand the safety instructions printed inside the front cover and that the following warnings are also strictly observed:-

1. Switch off, remove plug from mains socket and allow cutter to come to a stop before adjusting, cleaning or if the supply cable is entangled.

SAFETY PRECAUTIONS CONTD.

2. Cutterbar continues to rotate after machine is switched off, indicator disc in top of motor cover will show when rotation has stopped.
3. Examine supply cable regularly for signs of damage, wear or ageing. Do not use unless in good condition.
4. Do not mow over the supply cable, if this happens, disconnect the supply cable plug immediately and examine the cable. If damaged, do not use the mower until a new supply cable can be fitted. Do not attempt to patch-up a damaged cable in the hope that it will do.
5. Keep hands and feet away from the mower casing whilst the motor is running. Do not attempt to clear a blockage in the discharge chute aperture or underside of the casing before ensuring that the motor has stopped and that the supply plug is disconnected from the mains supply.
6. Additional safety and protection from electric shock can be obtained by installing a high sensitivity Earth Leakage Circuit Breaker (ELCB) at the mains power point.

ELCB products on the market include:-

B & R Electrical Products Ltd: 'HO 5 Mainsafe'

MK Electric Ltd: 'Sentrysocket'

7. Do not operate the mower in the rain or leave outside when it is raining.

## OPERATING INSTRUCTIONS:

### Starting, stopping and overload protection

Supply cable: Plug in the cable to the motor switch and fit the cable into the cable cleat as shown in Fig.3.

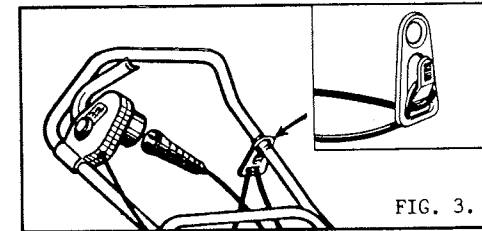


FIG. 3.

Motor switch: The motor switch is fitted with a safety button which prevents the motor from being accidentally started. To start the motor, press button and pull lever towards the handlebar as shown in Fig.4. The safety button will remain depressed until the lever is released.

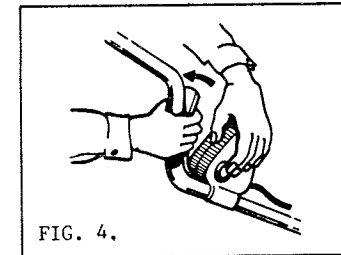


FIG. 4.

Release of the lever will switch off the motor, the cutterbar will, however, continue to rotate without noise whilst it slows down to stop.

To fit the grassbox: Raise the grass deflector and fit the grassbox over the ridge on the mainframe casting.

The cutting height range: Is from  $\frac{1}{2}$ " to  $1\frac{5}{8}$ ". Adjustment is obtained by turning the adjuster screw in a clockwise direction to raise the cutting height and anti-clockwise to lower the cutting height.

When starting the motor prior to cutting, raise the front of the machine slightly by bearing down on the handlebars. This will allow the motor to obtain optimum cutting speed and also prevent unnecessary loading of the motor during the starting phase.

Overload protection: Should the motor slow down through being overloaded, raise the front of the machine slightly by bearing down on the handlebars and draw the machine back from the crop until the motor responds. Proceed to cut into the crop at a slower pace.

If the motor continues to be overloaded, the motor protector will automatically switch off the mains supply, in which case, release the switch lever and draw the machine away from the crop. The motor protector will reconnect the supply after about 20 seconds. Restart and commence to cut again. Should, however, the motor fail to pick up speed rapidly, switch off and unplug the supply cable. Turn the machine on its side and clear any obstruction from the cutterbar and ensure that it will rotate freely. Place the machine upright, restart and proceed mowing at a rate that does not overload the motor.

### OPERATING INSTRUCTIONS CONTD.

IMPORTANT. Do not cause the motor protector to cut-off more than two times. If this does occur, cool the motor to its normal working temperature by running at full speed without cutting the grass for at least one minute. This will prevent excessive temperature build-up in the motor which would cause permanent serious damage.

### GUIDANCE ON MOWING WITHOUT CUTTING THE SUPPLY CABLE

When operating the mower, great care must be taken not to cut or damage the supply cable by mowing over it.

The importance of this cannot be overstressed. Be aware at all times of exactly where the cable is in relation to the mower and the cutting area. Do not allow the cable to become hidden in the uncut grass. Keep the cable over the cut area at all times.

Where possible, work out a 'cutting' plan which works away from the power supply point so that the cable is trailed out over the 'cut' area.

When working up and down the lawn in rows, turn the machine away from the cable at the end of the row, step over the cable so that on the return run the cable is trailed along in the 'cut' area.

When cutting around flower beds a stake driven in at the corner of the bed will prevent the cable being dragged across the cultivated area.

Remember, a cable which is out-of-sight is out-of-mind and is likely to become hazardous.

In the event of the cable being tangled in the mower or being cut or damaged by mowing over it, switch off the motor and unplug the cable from the mains before attempting to clear or examine the cable.

### MAINTENANCE

Machine: Apply a light application of oil to all linkages and hinge points periodically.

Check all securing nuts and bolts periodically and tighten if necessary.

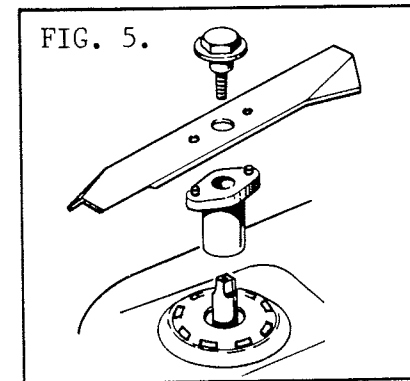
Cleaning: Keep the machine clean paying particular attention to the underside of the casing  
Do not use water when cleaning. Ensure the supply cable is unplugged from the mains supply before cleaning or working on the machine.

Cutterbar: Examine the cutterbar regularly for wear or damage, ensure before doing so the supply cable is unplugged from the mains supply. A cutter bar that is little worn can be resharpened in which case both ends must be sharpened equally to preserve the balance. A badly damaged cutterbar must be replaced. Use only a Hayter replacement cutterbar.

To fit a new cutterbar (see Fig.5): Disconnect mains supply. Turn machine on its side and with the spanner provided undo the large headed bolt, turning it anti-clockwise. To prevent the cutterbar from turning with the nut, use a pad or strong glove to protect the hand whilst holding the end of the cutterbar.

If the adaptor slides off the shaft after the bolt and cutterbar are removed, clean and replace the adaptor. Ensure that the flats on the shaft locate with the flats in the adaptor bore.

Fit the new cutterbar ensuring that it is the correct way up and that the pins in the adaptor locate with those in the cutterbar. Insert the securing bolt and tighten it securely. Again, protect the hand whilst holding the cutterbar and do not tighten the bolt by pushing or pulling the spanner towards the sharpened cutting edge as a serious injury could result if the spanner slips.



### SIMPLE FAULT FINDING

Mower fails to operate: Do not continue to hold the switch lever in the 'ON' position but check the following:-

- 1) Is mains supply socket 'live'? Test by plugging in some other appliance.
- 2) Is the plug connected correctly to mower supply cable? Check with reference to Fig.2.



#### SIMPLE FAULT FINDING CONTD.

3) Has the fuse in plug 'failed'? Fit new fuse and try again.

Before proceeding further, unplug supply cable from mains and check the following:-

4) Is the supply cable damaged? Check for cuts or kinks in cable.

5) Is the cutterbar jammed by some obstruction? If so, clear and ensure that it can be freely turned by hand.

#### MOTOR WILL NOT STOP

1) Push switch lever towards switch.

2) Unplug cable from mains supply and contact your Hayter dealer.

#### FAILURE TO CUT OR COLLECT GRASS PROPERLY

Disconnect supply cable from mains socket and check the following:-

1) Build-up of grass pulp inside mower casing.

2) Discharge chute aperture blocked.

3) Grassbox vents blocked.

4) Cutterbar damaged or badly worn.

If all of the above are O.K., raise cutting height to maximum and try again. Alternatively, the conditions may be too severe to permit grass collection, in which case, proceed to cut with the grassbox removed.

#### EXCESSIVE VIBRATION

Almost certainly due to damaged cutterbar causing it to run out of balance. Unplug supply cable from mains socket and check cutterbar. Replace if necessary.

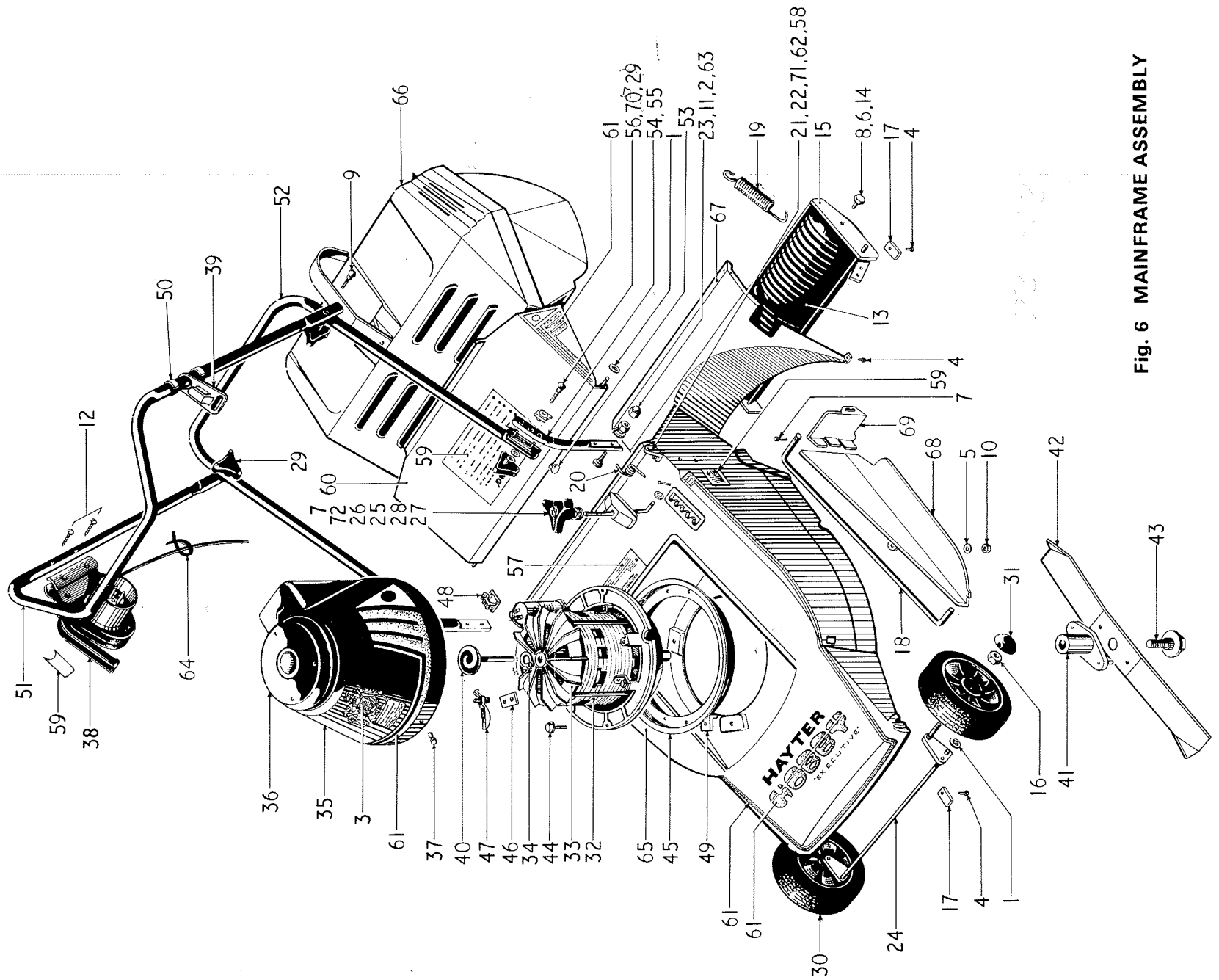


Fig. 6 MAINFRAME ASSEMBLY

### SPARE PARTS LIST

(Subject to revision without notice)

### FROM MACHINE NUMBER 234-4101

All spares must be ordered through an authorised Hayter Agent.

When ordering spares please quote the SERIAL NUMBER of your machine and the PART NUMBER, not the ITEM NUMBER, of the required part.

ITEM NO	PART NO	NO OFF	DESCRIPTION	ITEM NO	PART NO	NO OFF	DESCRIPTION
1	2385	3	1/2" Retaining Ring	37	234012	3	Drive Fastener
2	3469	4	M8 Spring Washer S/C	38	234013	1	Switch
3	5877	1	Royal Warrant Label	39	234014	1	Cable Cleat
4	9026	6	No. 8 x 1/2" Screw	40	234015	1	Direction Indicator
5	9267	3	5/16" Washer Large O/D	41	234018	1	Blade Carrier
6	9271	6	3/4" Plain Washer	42	234019	1	16" Cutterbar
7	9303	2	Split Pin	43	234020	1	Securing Bolt (Moulded Head)
8	9362	2	M6 x 16 Hex. Hd. Screw	44	234022	3	Securing Bolt (Moulded Head)
9	9367	2	M6 x 40 Coach Bolt	45	234023	1	Motor Cover Base
10	9442	3	M8 Self Lock Nut	46	234024	1	Strain Relief Clip Mounting Plate
11	9443	4	M8 Plain Nut	47	234025	1	Strain Relief Clip
12	9528	2	M4 x 25 Screw	48	234026	2	Cable Clip
13	201007	2	Roller	49	234027	3	Spacer
14	201008	1	Roller Shaft	50	234029	2	Hose Clip
15	234061	1	Rear Roller Frame Assy.	51	234031	1	Upper Handlebar
16	9232	2	1/2" UNF Nylon Nut	52	234033	1	Intermediate Handlebar
17	201025	4	Axle Retainer	53	234034	2	Tube Insert
18	201041	1	Connecting Rod	54	234037	1	Lower Handlebar N/S
19	201042	1	Spring	55	234038	1	Lower Handlebar O/S
20	201048	2	Spring	56	234040	2	Insulated Carriage Bolt
21	201053	1	Hinge Bracket N/S	57	234042	1	Label - Serial No.
22	201054	1	Hinge Bracket O/S	58	9470	2	Plain Washer
23	201060	4	M8 x 18 Serrated Screw	59	234050	1	Label Set (Warning and Instruction)
24	201101	1	Front Axle Assy.	60	234046	1	Deflector Plate Assy.
25	201081	1	Adjuster Screw	61	234047	1	Label Decal Set
26	201082	1	Block	62	9360	2	M5 x 12 Screw
27	9266	1	5/16" Plain Washer	63	234051	4	Nut Cap
28	201087	1	Knob	64	234052	3	Cable Tie
29	201089	4	Knob	65	234053	1	Mainframe
30	201095	2	6" Wheel	66	234055	1	Grassbox C/W Handle
31	201091	2	Wheel cap	67	234057	1	Throwplate
32	234002	1	A.E.C. Motor (C/W Base)	68	234058	1	Underguard
33	234004	1	Fan	69	234060	1	Underguard Cover
34	234005	1	Circlip	70	9472	4	M6 Washer
35	234008	1	Motor Cover Complete (Inc. Top)	71	9430	2	M5 Self Lock Nut T Type
36	234010	1	Motor Cover Top	72	4415	1	5/16" Spring Washer D/C

PRINTED BY HARTHAM PRESS LTD.,  
HARTHAM LANE, HERTFORD SG14 1QT

**AUGUST 1985**