

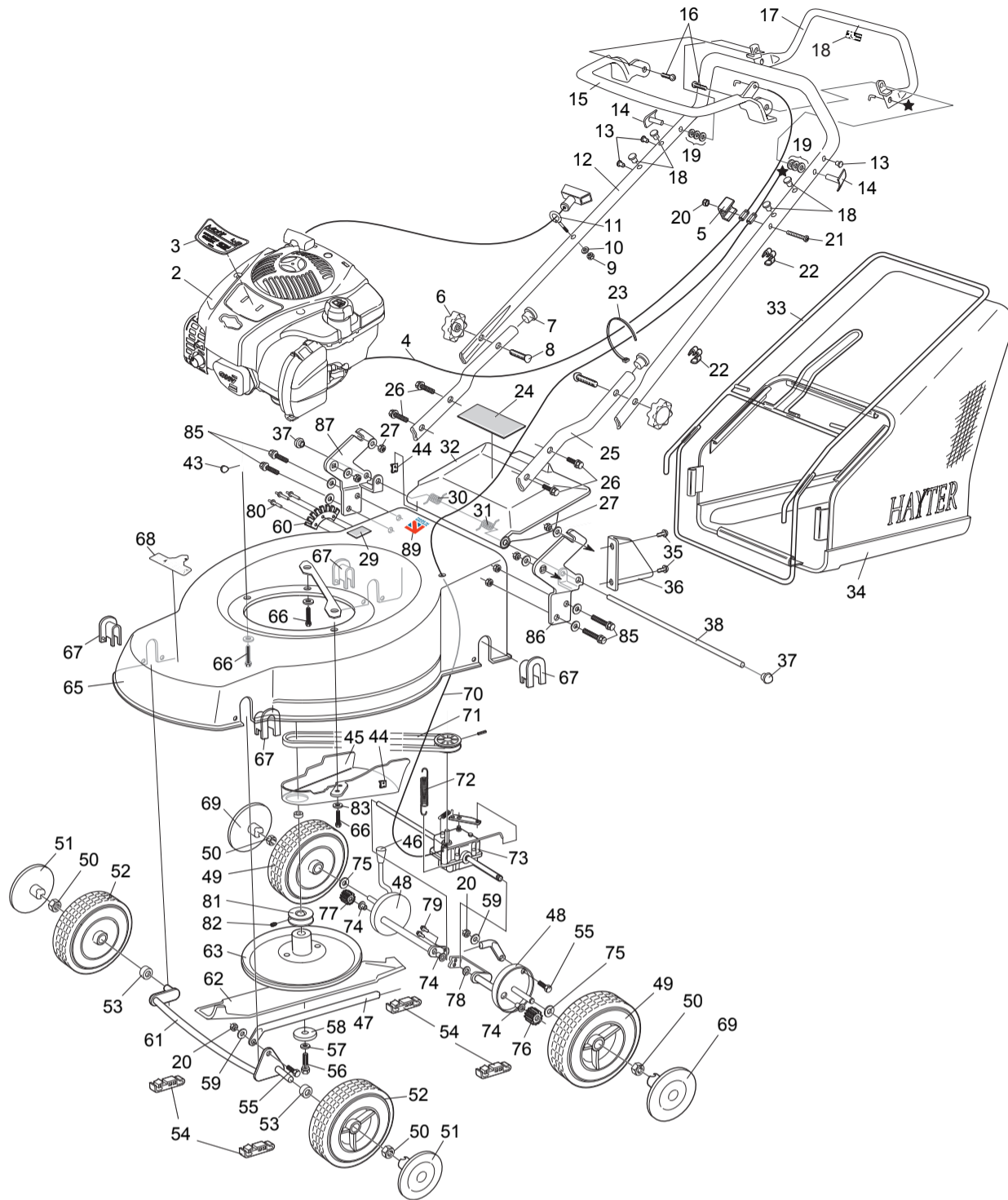
Motif 48 - Parts List

Original Version: EN

Issue : 19.05.14

Codes: 439H

From Serial: 314000001 and up

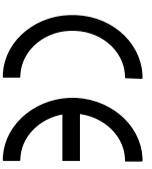


Item No	Description	Part No.	QTY	Notes	Item No	Description	Part No.	QTY	Notes
2	ENGINE-BRIGGS & STRATTON 600EX	111-7310	1		48	AXLE REAR 48 A/D RH W/A	434014W	1	
3	DECAL ENGINE CODE 438H & 439H	111-7371	1		48	AXLE REAR 48/53 A/D LH W/A	434015W	1	
4	CABLE ENGINE BRAKE	111-3342	1		49	WHEEL REAR A/D 200 WAFFEL	111-7663	2	
5	FITTING HANDLEBAR	411035	1		50	M12 NYLOC EXTRA THIN	111-7664	4	
6	KNOB M8 HANDLEBAR	480088	2		51	TRIM WHEEL 180 BLACK	111-7665	2	
7	PLUG TUBE 7/8 x 16g E	300160	2		52	WHEEL FRONT 180 WAFFEL	111-7661	2	
8	BOLT HANDLEBAR M8 x 45	HY226024	2		53	AXLE SPACER	111-7659	2	
9	NUT M6 NYLOC P TYPE GD 8	09544	1		54	AXLE RETAINER	111-7681	4	
10	WASHER PLAIN M6 x 12 x 1.6	09472	1		55	M6 x 6 SHOULDER SCREW	111-7678	2	
11	GUIDE ROPE	305093	1		56	BOLT UNF	09118	1	
12	UPPER HANDLEBAR	305145W	1		57	WASHER SPRING 3/8 SC	09273	1	
13	FASTENER DRIVE 6.5	341033	3		58	SPACER DISTANCE CUTTERBAR	HY4014	1	
14	PIN PIVOT	340182	2		59	WASHER M6	111-7679	2	
15	LEVER ENGINE	340179	1		60	PLATE RATCHET HOC	432020W	1	
16	SCREW DIA 6 x 20 PT PAN FLANGE	09687	2		61	AXLE FRONT 48 W/A	433014W	1	
17	LEVER CLUTCH	111-1921-03	1		62	CUTTERBAR 19 INCHES	111-5013	1	
18	FASTENER DRIVE	300144	4		63	FRICTION DISC W/A	397042W	1	
19	WASHER NYLON 19 x 11 x 1.6	09688	2		65	DECK (GREEN)	111-0962-08	1	
20	NUT M6 NYLOC T TYPE	09438	4		66	SCREW TAPTITE UNC 3/8 X 1 1/4	09349	3	
21	BOLT M6 x 40	ZBH1F040U	1		67	AXLE SUPPORT	111-7680	4	
22	GUIDE CABLE	410037	2		68	DECAL (HAYTER, LOGO 03)	410087	1	
23	CABLE TIE	HY3966	1		69	TRIM WHEEL 200 BLACK	111-7666	2	
24	DECAL - SAFETY PETROL	111-0083	1		70	CLUTCH CABLE	111-3363	1	
25	HANDLEBAR LOWER	432001W	2		71	BELT DRIVE 48	111-7667	1	
26	SETSCREW M8 x 20	09368	4		72	SPRING TENSION - GEARBOX	111-7673	1	
27	NUT M8 NYL INSERT T TYPE	09441	4		73	GEARBOX 48	111-7671	1	
29	LABEL HEIGHT OF CUT	320006	1		74	BUSH FLANGED 325MKS	111-7674	3	
30	SPRING TORSION REAR DEFL. RH	111-7655	1		75	WASHER 13 DIN 9021-ST	111-7660	2	
31	SPRING TORSION REAR DEFL. LH	111-7656	1		76	GEAR DRIVE ASSY LH	111-7676	1	
32	REAR DEFLECTOR 48	111-7652	1		77	GEAR DRIVE ASSY RH	111-7677	1	
33	FRAME GRASSBAG 48/53	433010W	1		78	WASHER 13 DIA	111-7675	1	
34	FABRIC GRASSBAG	433003	1		79	SCREW TAPTITE M6 x 12 W/HD	09546	2	
35	SCREW PAN HEAD M5 x 12 TAPTITE	10-11-029	2		80	RIVET, POP .187DIA	MU710259	4	
36	PLATE DISCHARGE	432021W	1		81	PULLEY DRIVE	434001	1	
37	STARLUX END CAP 6MM	111-7657	2		82	GRUBSCREW M6 x 10 SOC HD	09619	1	
38	DEFLECTOR PIN 6 x 385	433007	1		83	WASHER 10.5 DIA x 30 O/D x 2.5	111-7658	1	
43	KEY WOODRUFF 3/16 x 5/8	1662	1		85	SCREW TAPTITE M8 x 25 HEX W.HD	111-6759	4	
44	CLIP BELT COVER	111-7654	2		86	BRACKET HANDLEBAR LH	111-0964-03	1	
45	BELT COVER 48	111-7669	1		87	BRACKET HANDLEBAR RH	111-0965-03	1	
46	KNOB HOC-GRIF	111-7682	1		89	DECAL - MADE IN BRITAIN	111-7722	1	
47	CONNECTING ROD 48 A/D	434003W	1		90	DECAL - TRANSMISSION CONTROL	111-7853	1	

Motif 48 - Declaration Of Conformity

EC DECLARATION OF CONFORMITY

Manufactured by: HAYTER LIMITED,
Address: Spellbrook, Bishop's Stortford, Herts. CM23 4BU. ENGLAND
declare that the lawnmower :



Model name:	Motif 48
	Autodrive
Type:	Pedestrian rotary
Model No.:	CODE 439
Cutting width:	48 cm
Speed of rotation of the cutting device:	2800 rpm
Engine manufacturer:	Briggs & Stratton
Speed of rotation of engine:	2800 rpm
Serial No. Range:	314000001 and up

Complies with the provisions of Directive: 2006/42/EC Essential Health & Safety Requirements Relating to the Design & Construction of Machinery and Safety Components and the regulations transposed into national law.

Also Directive 2004/108/EEC Electromagnetic Compatibility and the regulations transposed into national law.

Also Directive 2000/14/EC Noise emission in the environment by equipment for use outdoors, as amended and the regulations transposed into national law.

Procedure applied for the conformity assessment: ANNEX VI, procedure 1.

Notified Body: Sound Research Laboratories Ltd, Holbrook House, Little Walsingham, Sudbury, Suffolk.
CO10 0TH. ENGLAND

Notified body identification No: 1088

Measured sound power level:	94 dB(A)
Guaranteed sound power level:	96 dB(A)

Signed

Don Lackner
(Manager, Sr. Engineering)

Date: 08.4.2014
Declaration done and technical documentation kept at:
HAYTER LIMITED
Spellbrook, Bishop's Stortford,
Herts. CM23 4BU ENGLAND

VIBRATION INFORMATION

Hand / Arm Vibration Level at the Operator Position measured in accordance with BS EN ISO 5395-3:

	439
Measured Vibration Level (Left Hand) ahv =	4.2 ms ⁻²
Measured Vibration Level (Right Hand) ahv =	4.4 ms ⁻²
Uncertainty of measurement K =	2.2 ms ⁻²

SOUND PRESSURE INFORMATION

Sound Pressure Level at the Operator Position measured in accordance with BS EN ISO 5395-3:

Measured Sound Pressure Level LPA	84 dB(A)
Uncertainty of measurement K =	2 dB(A)

Serial No.