

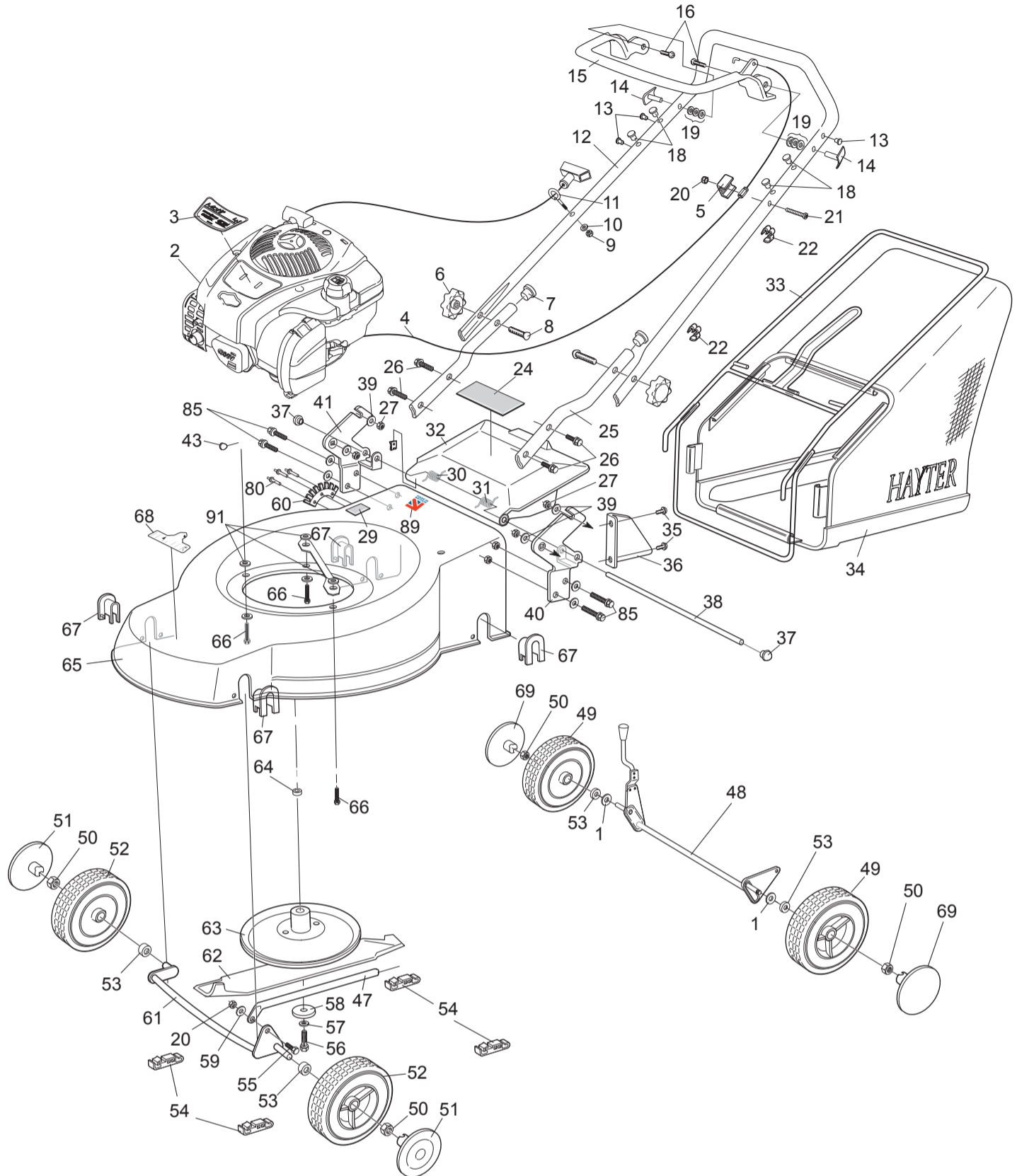
## Motif 41 - Parts List

Original Version: EN

Issue : 14.05.14

Codes: 437H

From Serial: 314000001 and up

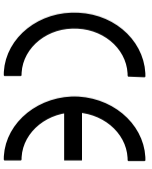


| Item No | Description                    | Part No.  | QTY | Notes | Item No | Description                     | Part No.    | QTY | Notes |
|---------|--------------------------------|-----------|-----|-------|---------|---------------------------------|-------------|-----|-------|
| 1       | WASHER PLAIN M12               | HY09485   | 2   |       | 38      | DEFLECTOR PIN 6 x 360           | 432007      | 1   |       |
| 2       | ENGINE BRIGGS & STRATTON 600EX | 111-7310  | 1   |       | 39      | WASHER PLAIN 5/16 x 1 x 16G     | 09270       | 4   |       |
| 3       | DECAL ENGINE CODE437H          | 111-7370  | 1   |       | 40      | BRACKET HANDLEBAR LH            | 433017W     | 1   |       |
| 4       | CABLE ENGINE BRAKE             | 111-3342  | 1   |       | 41      | BRACKET HANDLEBAR RH            | 433018W     | 1   |       |
| 5       | FITTING HANDLEBAR              | 411035    | 1   |       | 43      | KEY WOODRUFF 3/16 x 5/8         | 1662        | 1   |       |
| 6       | KNOB M8 HANDLEBAR              | 480088    | 2   |       | 46      | KNOB HOC-GRIFF                  | 111-7682    | 1   |       |
| 7       | PLUG TUBE 7/8 x 16g E          | 300160    | 2   |       | 47      | CONNECTING ROD                  | 111-7279    | 1   |       |
| 8       | BOLT HANDLEBAR M8 x 45         | HY226024  | 2   |       | 48      | AXLE REAR 41 PUSH W/A           | 432027W     | 1   |       |
| 9       | NUT M6 NYLOC P TYPE GD 8       | 09544     | 1   |       | 49      | WHEEL REAR 200 WAFFEL           | 111-7662    | 2   |       |
| 10      | WASHER PLAIN M6 x 12 x 1.6     | 09472     | 1   |       | 50      | M12 NYLOC EXTRA THIN            | 111-7664    | 4   |       |
| 11      | GUIDE ROPE                     | 305093    | 1   |       | 51      | TRIM WHEEL 180 BLACK            | 111-7665    | 2   |       |
| 12      | UPPER HANDLEBAR                | 305145W   | 1   |       | 52      | WHEEL FRONT 180 WAFFEL          | 111-7661    | 2   |       |
| 13      | FASTENER DRIVE 6.5             | 341033    | 3   |       | 53      | AXLE SPACER                     | 111-7659    | 4   |       |
| 14      | PIN PIVOT                      | 340182    | 2   |       | 54      | AXLE RETAINER                   | 111-7681    | 4   |       |
| 15      | LEVER ENGINE                   | 340179    | 1   |       | 55      | M6 x 6 SHOULDER SCREW           | 111-7678    | 2   |       |
| 16      | SCREW DIA 6 x 20 PT PAN FLANGE | 09687     | 2   |       | 56      | BOLT UNF                        | 09118       | 1   |       |
| 18      | FASTENER DRIVE                 | 300144    | 4   |       | 57      | WASHER SPRING 3/8 SC            | 09273       | 1   |       |
| 19      | WASHER NYLON 19 x 11 x 1.6     | 09688     | 6   |       | 58      | SPACER DISTANCE CUTTERBAR       | HY4014      | 1   |       |
| 20      | NUT M6 NYLOC 'T' TYPE          | 09438     | 3   |       | 59      | WASHER M6                       | 111-7679    | 2   |       |
| 21      | BOLT M6 x 40                   | ZBH1F040U | 1   |       | 60      | PLATE RATCHET HOC               | 432020W     | 1   |       |
| 22      | GUIDE CABLE                    | 410037    | 2   |       | 61      | AXLE FRONT 41 W/A               | 432019W     | 1   |       |
| 24      | DECAL - SAFETY PETROL          | 111-0083  | 1   |       | 62      | CUTTERBAR 16 INCH               | HY201026    | 1   |       |
| 25      | HANDLEBAR LOWER                | 432001W   | 2   |       | 63      | FRICTION DISC W/A               | 397042W     | 1   |       |
| 26      | SETSCREW M8 x 20               | 09368     | 4   |       | 64      | SPACER LARGE                    | 111-3705    | 1   |       |
| 27      | NUT M8 NYL INSERT T TYPE       | 09441     | 4   |       | 65      | DECK W/A (GREEN)                | 111-0704-08 | 1   |       |
| 29      | LABEL HEIGHT OF CUT            | 320006    | 1   |       | 66      | SCREW TAPTITE UNC 3/8 X 1 1/4   | 09349       | 3   |       |
| 30      | SPRING TORSION REAR DEFL RH    | 111-7655  | 1   |       | 67      | AXLE SUPPORT                    | 111-7680    | 4   |       |
| 31      | SPRING TORSION REAR DEFL LH    | 111-7656  | 1   |       | 68      | DECAL HAYTER, LOGO 03           | 410087      | 1   |       |
| 32      | REAR DEFLECTOR 42              | 111-7652  | 1   |       | 69      | TRIM WHEEL 200 BLACK            | 111-7666    | 2   |       |
| 33      | FRAME GRASSBAG 42              | 432010W   | 1   |       | 80      | RIVET POP .187DIA               | MU710259    | 4   |       |
| 34      | FABRIC GRASSBAG                | HY432003  | 1   |       | 85      | SCREW TAPTITE M10 X 25 HEX W HD | 111-6759    | 4   |       |
| 35      | SCREW PAN HEAD M5 x 12 TAPTITE | 10-11-029 | 2   |       | 89      | DECAL - MADE IN BRITAIN         | 111-7722    | 1   |       |
| 36      | PLATE DISCHARGE                | 432021W   | 1   |       | 91      | WASHER PLAIN 7/16 x 7/8 x 13G   | 09276       | 3   |       |
| 37      | STARLUX END CAP 6MM            | 111-7657  | 2   |       |         |                                 |             |     |       |

# Motif 41 - Declaration Of Conformity

## EC DECLARATION OF CONFORMITY

Manufactured by: HAYTER LIMITED,  
Address: Spellbrook, Bishop's Stortford, Herts. CM23 4BU, ENGLAND  
declare that the lawnmower:



|  |                                |
|--|--------------------------------|
| Model name:                              | <b>Motif 41</b><br><b>Push</b> |
| Type:                                    | Pedestrian rotary              |
| Model No:                                | CODE 437                       |
| Cutting width:                           | 41 cm                          |
| Speed of rotation of the cutting device: | 2800 rpm                       |
| Engine manufacturer:                     | Briggs & Stratton              |
| Speed of rotation of engine:             | 2800 rpm                       |
| Serial No. Range:                        | 314000001 and up               |

Complies with the provisions of Directive: 2006/42/EC Essential Health & Safety Requirements Relating to the Design & Construction of Machinery and Safety Components and the regulations transposed into national law.

Also Directive 2004/108/EEC Electromagnetic Compatibility and the regulations transposed into national law.

Also Directive 2000/14/EC Noise emission in the environment by equipment for use outdoors, as amended and the regulations transposed into national law.

Procedure applied for the conformity assessment: ANNEX VI, procedure 1.

Notified Body: Sound Research Laboratories Ltd, Holbrook House, Little Waldingfield, Sudbury, Suffolk.  
CO10 0TH, ENGLAND

Notified body identification No: 1088

Measured sound power level: 93 dB(A)  
Guaranteed sound power level: 96 dB(A)

Signed

Don Lackner  
(Manager, Sr. Engineering)

Date: 08.4.2014  
Declaration done and technical documentation kept at:  
HAYTER LIMITED  
Spellbrook, Bishop's Stortford,  
Herts. CM23 4BU ENGLAND

## VIBRATION INFORMATION

Hand / Arm Vibration Level at the Operator Position measured in accordance with BS EN ISO 5395-3:

|                                |            |                  |
|--------------------------------|------------|------------------|
| Measured Vibration Level ahv = | <b>4.2</b> | ms <sup>-2</sup> |
| Uncertainty of measurement K = | <b>2.1</b> | ms <sup>-2</sup> |

## SOUND PRESSURE INFORMATION

Sound Pressure Level at the Operator Position measured in accordance with BS EN ISO 5395-3:

|   |           |       |
|---|-----------|-------|
| Measured Sound Pressure Level L <sub>PA</sub> | <b>86</b> | dB(A) |
| Uncertainty of measurement K =                | <b>2</b>  | dB(A) |

Serial No.